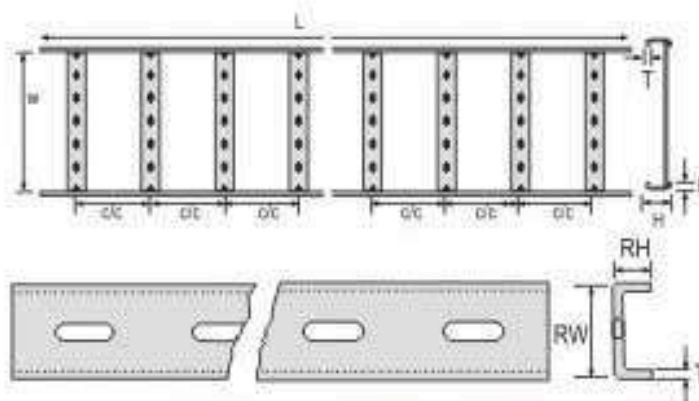
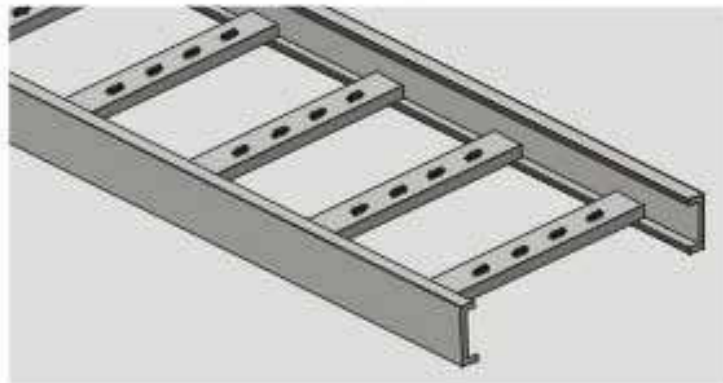


Heavy Duty Ladder Type Cable Trays



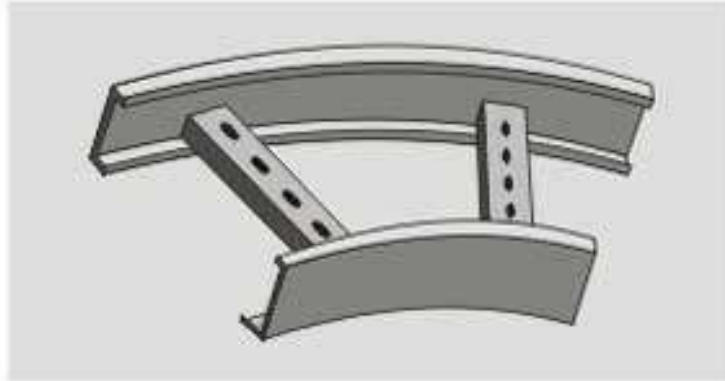
W = Width of Tray
 B = Bend
 T = Thickness of Sheet
 L = Length of Tray
 R = Radius of curve
 H = Channel Height
 RH = Rung height
 RW = Rung Width
 C/C = Centre to Centre distance between Rungs

W	H	THK	CODE NO
150	125	1.2	LT150-125-1.2
150	125	1.5	LT150-125-1.5
150	125	2.0	LT150-125-2.0
225	125	1.2	LT150-125-1.2
225	125	1.5	LT225-125-1.5
225	125	2.0	LT225-125-2.0
300	125	1.2	LT300-125-1.2
300	125	1.5	LT300-125-1.5
300	125	2.0	LT300-125-2.0
450	125	1.5	LT450-125-1.5
450	125	2.0	LT-450-125-2.0
600	125	1.5	LT600-125-1.5
600	125	2.0	LT600-125-2.0
750	125	1.5	LT750-125-1.5
750	125	2.0	LT750-125-2.0
900	125	1.5	LT900-125-1.5
900	125	2.0	LT900-125-2.0
1000	125	2.0	LT1000-125-2.0

Note: Above all sizes are Standard, any sizes can be offered.

- i) width from 100 mm to 1000 mm
- ii) thickness from 1.2 mm to 3 mm

Ladder Type 45° Bend



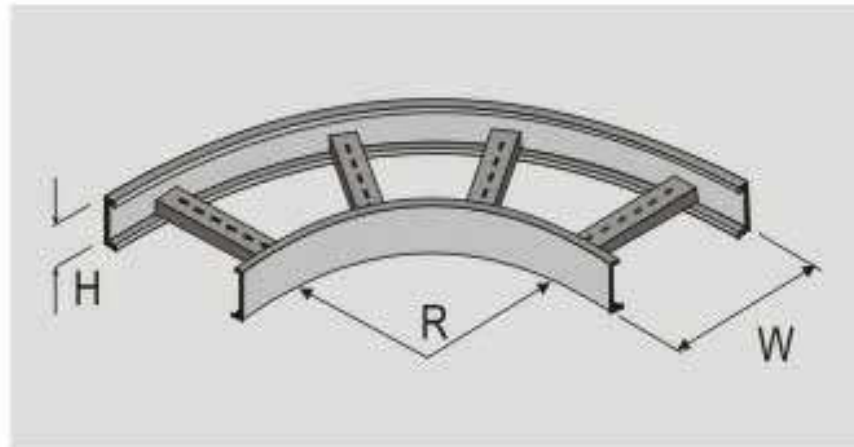
SIZE	THK	Side Channel 50	Side Channel 100	Side Channel 125	Side Channel 150	Side Channel 200
		CODE NO	CODE NO	CODE NO	CODE NO	CODE NO
100	1.2	LTHB45D100-50-1.2	-	-	-	-
100	1.5	-	-	-	-	-
100	2.0	-	-	-	-	-
150	1.2	LTHB45D150-50-1.2	-	-	-	-
150	1.5	-	LTHB45D150-100-1.5	LTHB45D150-125-1.5	LTHB45D150-150-1.5	-
150	2.0	-	LTHB45D150-100-2.0	LTHB45D150-125-2.0	LTHB45D150-150-2.0	-
225	1.2	LTHB45D225-50-1.2	-	-	-	-
225	1.5	-	LTHB45D225-100-1.5	LTHB45D225-125-1.5	LTHB45D225-150-1.5	LTHB45D225-200-1.5
225	2.0	-	LTHB45D225-100-2.0	LTHB45D225-125-2.0	LTHB45D225-150-2.0	LTHB45D225-200-2.0
225	2.5	-	-	-	-	LTHB45D225-200-2.5
300	1.2	LTHB45D300-50-1.2	-	-	-	-
300	1.5	-	LTHB45D300-100-1.5	LTHB45D300-125-1.5	LTHB45D300-150-1.5	LTHB45D300-200-1.5
300	2.0	-	LTHB45D300-100-2.0	LTHB45D300-125-2.0	LTHB45D300-150-2.0	LTHB45D300-200-2.0
300	2.5	-	-	-	-	LTHB45D300-200-2.5
450	1.5	LTHB45D450-50-1.5	LTHB45D450-100-1.5	LTHB45D450-125-1.5	LTHB45D450-150-1.5	LTHB45D450-200-1.5
450	2.0	-	LTHB45D450-100-2.0	LTHB45D450-125-2.0	LTHB45D450-150-2.0	LTHB45D450-200-2.0
450	2.5	-	-	-	-	LTHB45D450-200-2.5
600	1.5	LTHB45D600-50-1.5	LTHB45D600-100-1.5	LTHB45D600-125-1.5	LTHB45D600-150-1.5	LTHB45D600-200-1.5
600	2.0	-	LTHB45D600-100-2.0	LTHB45D600-125-2.0	LTHB45D600-150-2.0	LTHB45D600-200-2.0
800	2.5	-	-	-	-	LTHB45D800-200-2.5
750	1.5	LTHB45D750-50-1.5	LTHB45D750-100-1.5	LTHB45D750-125-1.5	LTHB45D750-150-1.5	LTHB45D750-200-1.5
750	2.0	-	LTHB45D750-100-2.0	LTHB45D750-125-2.0	LTHB45D750-150-2.0	LTHB45D750-200-2.0
750	2.5	-	-	-	-	LTHB45D750-200-2.5
900	1.5	-	LTHB45D900-100-1.5	LTHB45D900-125-1.5	LTHB45D900-150-1.5	LTHB45D900-200-1.5
900	2.0	-	LTHB45D900-100-2.0	LTHB45D900-125-2.0	LTHB45D900-150-2.0	LTHB45D900-200-2.0
900	2.5	-	-	-	-	LTHB45D900-200-2.5
1000	2.0	-	LTHB45D1000-100-2.0	LTHB45D1000-125-2.0	LTHB45D1000-150-2.0	LTHB45D1000-200-2.0
1000	2.5	-	-	-	-	LTHB45D1000-200-2.5

Note: Above all sizes are Standard, any sizes can be offered.

i) width from 100 mm to 1000 mm

ii) thickness from 1.2 mm to 3 mm

Ladder Type 90° Bend



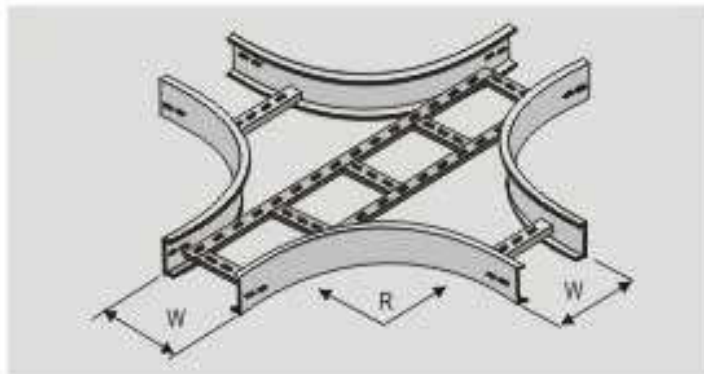
SIZE	THK	Side Channel 50 CODE NO	Side Channel 100 CODE NO	Side Channel 125 CODE NO	Side Channel 150 CODE NO	Side Channel 200 CODE NO
100	1.2	LTHB90D100-50-1.2	-	-	-	-
100	2.0	-	-	-	-	-
150	1.2	LTHB90D150-50-1.2	-	-	-	-
150	1.5	-	LTHB90D150-100-1.5	LTHB90D150-125-1.5	LTHB90D150-150-1.5	-
150	2.0	-	LTHB90D150-100-2.0	LTHB90D150-125-2.0	LTHB90D150-150-2.0	-
225	1.2	LTHB90D225-50-1.2	-	-	-	-
225	1.5	-	LTHB90D225-100-1.5	LTHB90D225-125-1.5	LTHB90D225-150-1.5	LTHB90D225-200-1.5
225	2.0	-	LTHB90D225-100-2.0	LTHB90D225-125-2.0	LTHB90D225-150-2.0	LTHB90D225-200-2.0
225	2.5	-	-	-	-	LTHB90D225-200-2.5
300	1.2	LTHB90D300-50-1.2	-	-	-	-
300	1.5	-	LTHB90D300-100-1.5	LTHB90D300-125-1.5	LTHB90D300-150-1.5	LTHB90D300-200-1.5
300	2.0	-	LTHB90D300-100-2.0	LTHB90D300-125-2.0	LTHB90D300-150-2.0	LTHB90D300-200-2.0
300	2.5	-	-	-	-	LTHB90D300-200-2.5
450	1.5	LTHB90D450-50-1.5	LTHB90D450-100-1.5	LTHB90D450-125-1.5	LTHB90D450-150-1.5	LTHB90D450-200-1.5
450	2.0	-	LTHB90D450-100-2.0	LTHB90D450-125-2.0	LTHB90D450-150-2.0	LTHB90D450-200-2.0
450	2.5	-	-	-	-	LTHB90D450-200-2.5
600	1.5	LTHB90D600-50-1.5	LTHB90D600-100-1.5	LTHB90D600-125-1.5	LTHB90D600-150-1.5	LTHB90D600-200-1.5
600	2.0	-	LTHB90D600-100-2.0	LTHB90D600-125-2.0	LTHB90D600-150-2.0	LTHB90D600-200-2.0
600	2.5	-	-	-	-	LTHB90D600-200-2.5
750	1.5	LTHB90D750-50-1.5	LTHB90D750-100-1.5	LTHB90D750-125-1.5	LTHB90D750-150-1.5	LTHB90D750-200-1.5
750	2.0	-	LTHB90D750-100-2.0	LTHB90D750-125-2.0	LTHB90D750-150-2.0	LTHB90D750-200-2.0
750	2.5	-	-	-	-	LTHB90D750-200-2.5
900	1.5	-	LTHB90D900-100-1.5	LTHB90D900-125-1.5	LTHB90D900-150-1.5	LTHB90D900-200-1.5
900	2.0	-	LTHB90D900-100-2.0	LTHB90D900-125-2.0	LTHB90D900-150-2.0	LTHB90D900-200-2.0
900	2.5	-	-	-	-	LTHB90D900-200-2.5
1000	2.0	-	LTHB90D1000-100-2.0	LTHB90D1000-125-2.0	LTHB90D1000-150-2.0	LTHB90D1000-200-2.0
1000	2.5	-	-	-	-	LTHB90D1000-200-2.5

Note: Above all sizes are Standard, any sizes can be offered.

i) width from 100 mm to 1000 mm

ii) thickness from 1.2 mm to 3 mm

Ladder Type Cross

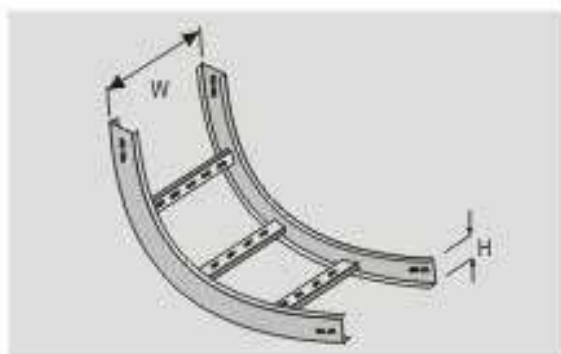


SIZE	THK	Side Channel 50mm CODE NO	Side Channel 100mm CODE NO	Side Channel 125mm CODE NO	Side Channel 150mm CODE NO	Side Channel 200mm CODE NO
100	1.2	LTCR100-50-1.2	-	-	-	-
100	1.5	-	-	-	-	-
100	2.0	-	-	-	-	-
150	1.2	LTCR150-50-1.2	-	-	-	-
150	1.5	-	LTCR150-100-1.5	LTCR150-125-1.5	LTCR150-150-1.5	-
150	2.0	-	LTCR150-100-2.0	LTCR150-125-2.0	LTCR150-150-2.0	-
225	1.2	LTCR225-50-1.2	-	-	-	-
225	1.5	-	LTCR225-100-1.5	LTCR225-125-1.5	LTCR225-150-1.5	LTCR90D225-200-1.5
225	2.0	-	LTCR225-100-2.0	LTCR225-125-2.0	LTCR225-150-2.0	LTCR90D225-200-2.0
225	2.5	-	-	-	-	LTCR90D225-200-2.5
300	1.2	LTCR300-50-1.2	-	-	-	-
300	1.5	-	LTCR300-100-1.5	LTCR300-125-1.5	LTCR300-150-1.5	LTCR90D300-200-1.5
300	2.0	-	LTCR300-100-2.0	LTCR300-125-2.0	LTCR300-150-2.0	LTCR90D300-200-2.0
300	2.5	-	-	-	-	LTCR90D300-200-2.5
450	1.5	LTCR450-50-1.5	LTCR450-100-1.5	LTCR450-125-1.5	LTCR450-150-1.5	LTCR90D450-200-1.5
450	2.0	-	LTCR450-100-2.0	LTCR450-125-2.0	LTCR450-150-2.0	LTCR90D450-200-2.0
450	2.5	-	-	-	-	LTCR90D450-200-2.5
600	1.5	LTCR600-50-1.5	LTCR600-100-1.5	LTCR600-125-1.5	LTCR600-150-1.5	LTCR90D600-200-1.5
600	2.0	-	LTCR600-100-2.0	LTCR600-125-2.0	LTCR600-150-2.0	LTCR90D600-200-2.0
600	2.5	-	-	-	-	LTCR90D600-200-2.5
750	1.5	LTCR750-50-1.5	LTCR750-100-1.5	LTCR750-125-1.5	LTCR750-150-1.5	LTCR90D750-200-1.5
750	2.0	-	LTCR750-100-2.0	LTCR750-125-2.0	LTCR750-150-2.0	LTCR90D750-200-2.0
750	2.5	-	-	-	-	LTCR90D750-200-2.5
900	1.5	-	LTCR900-100-1.5	LTCR900-125-1.5	LTCR900-150-1.5	LTCR90D900-200-1.5
900	2.0	-	LTCR900-100-2.0	LTCR900-125-2.0	LTCR900-150-2.0	LTCR90D900-200-2.0
900	2.5	-	-	-	-	LTCR90D900-200-2.5
1000	2.0	-	LTCR1000-100-2.0	LTCR1000-125-2.0	LTCR1000-150-2.0	LTCR90D1000-200-2.0
1000	2.5	-	-	-	-	LTCR90D1000-200-2.5

Note: Above all sizes are Standard, any sizes can be offered.

- i) width from 100 mm to 1000 mm
- ii) thickness from 1.2 mm to 3 mm

Ladder Type Inside Risers

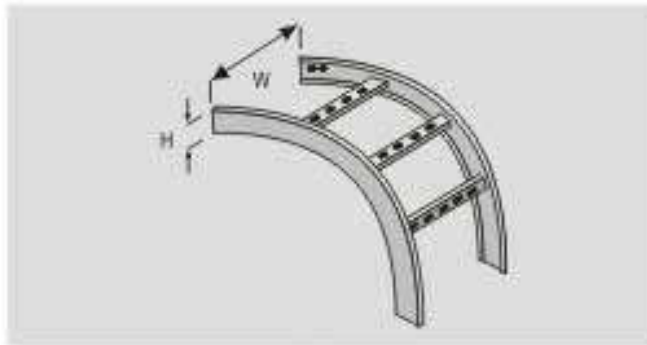


SIZE	THK	Side Channel 50mm CODE NO	Side Channel 100mm CODE NO	Side Channel 125mm CODE NO	Side Channel 150mm CODE NO	Side Channel 200mm CODE NO
100	1.2	LTIR100-50-1.2	-	-	-	-
100	1.5	-	-	-	-	-
100	2.0	-	-	-	-	-
150	1.2	LTIR150-50-1.2	-	-	-	-
150	1.5	-	LTIR150-100-1.5	LTIR150-125-1.5	LTIR150-150-1.5	-
150	2.0	-	LTIR150-100-2.0	LTIR150-125-2.0	LTIR150-150-2.0	-
225	1.2	LTIR225-50-1.2	-	-	-	-
225	1.5	-	LTIR225-100-1.5	LTIR225-125-1.5	LTIR225-150-1.5	LTIR225-200-1.5
225	2.0	-	LTIR225-100-2.0	LTIR225-125-2.0	LTIR225-150-2.0	LTIR225-200-2.0
225	2.5	-	-	-	-	LTIR225-200-2.5
300	1.2	LTIR300-50-1.2	-	-	-	-
300	1.5	-	LTIR300-100-1.5	LTIR300-125-1.5	LTIR300-150-1.5	LTIR300-200-1.5
300	2.0	-	LTIR300-100-2.0	LTIR300-125-2.0	LTIR300-150-2.0	LTIR300-200-2.0
300	2.5	-	-	-	-	LTIR300-200-2.5
450	1.5	LTIR450-50-1.5	LTIR450-100-1.5	LTIR450-125-1.5	LTIR450-150-1.5	LTIR450-200-1.5
450	2.0	-	LTIR450-100-2.0	LTIR450-125-2.0	LTIR450-150-2.0	LTIR450-200-2.0
450	2.5	-	-	-	-	LTIR450-200-2.5
600	1.5	LTIR600-50-1.5	LTIR600-100-1.5	LTIR600-125-1.5	LTIR600-150-1.5	LTIR600-200-1.5
600	2.0	-	LTIR600-100-2.0	LTIR600-125-2.0	LTIR600-150-2.0	LTIR600-200-2.0
600	2.5	-	-	-	-	LTIR600-200-2.5
750	1.5	LTIR750-50-1.5	LTIR750-100-1.5	LTIR750-125-1.5	LTIR750-150-1.5	LTIR750-200-1.5
750	2.0	-	LTIR750-100-2.0	LTIR750-125-2.0	LTIR750-150-2.0	LTIR750-200-2.0
750	2.5	-	-	-	-	LTIR750-200-2.5
900	1.5	-	LTIR900-100-1.5	LTIR900-125-1.5	LTIR900-150-1.5	LTIR900-200-1.5
900	2.0	-	LTIR900-100-2.0	LTIR900-125-2.0	LTIR900-150-2.0	LTIR900-200-2.0
900	2.5	-	-	-	-	LTIR900-200-2.5
1000	1.5	-	LTIR1000-100-1.5	LTIR1000-125-1.5	LTIR1000-150-1.5	LTIR1000-200-1.5
1000	2.0	-	LTIR1000-100-2.0	LTIR1000-125-2.0	LTIR1000-150-2.0	LTIR1000-200-2.0
1000	2.5	-	-	-	-	LTIR1000-200-2.5

Note: Above all sizes are Standard, any sizes can be offered.

- i) width from 100 mm to 1000 mm
- ii) thickness from 1.2 mm to 3 mm

Ladder Type Outside Risers



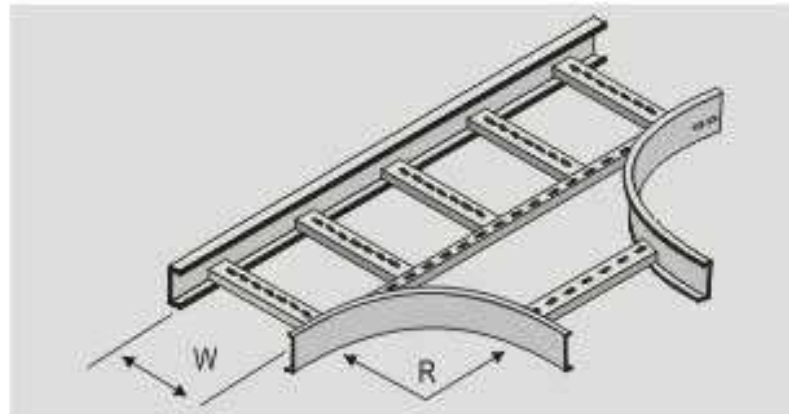
OUTSIDE RISER

W	THK	SIDE CHANNEL 50MM	SIDE CHANNEL 100MM	SIDE CHANNEL 125MM	SIDE CHANNEL 150MM	SIDE CHANNEL 200MM
		CODE NO	CODE NO	CODE NO	CODE NO	CODE NO
100	1.2	LTOR100-50-1.2	-	-	-	-
100	1.5	-	-	-	-	-
100	2.0	-	-	-	-	-
150	1.2	LTOR100-50-1.2	-	-	-	-
150	1.5	-	LTOR100-100-1.5	LTOR100-125-1.5	LTOR100-150-1.5	-
150	2.0	-	LTOR100-100-2.0	LTOR100-125-2.0	LTOR100-150-2.0	-
225	1.2	LTOR225-50-1.2	-	-	-	-
225	1.5	-	LTOR225-100-1.5	LTOR225-125-1.5	LTOR225-150-1.5	LTOR225-200-1.5
225	2.0	-	LTOR225-100-2.0	LTOR225-125-2.0	LTOR225-150-2.0	LTOR225-200-2.0
225	2.5	-	-	-	-	LTOR225-200-2.5
300	1.2	LTOR300-50-1.2	-	-	-	-
300	1.5	-	LTOR300-100-1.5	LTOR300-125-1.5	LTOR300-150-1.5	LTOR300-200-1.5
300	2.0	-	LTOR300-100-2.0	LTOR300-125-2.0	LTOR300-150-2.0	LTOR300-200-2.0
300	2.5	-	-	-	-	LTOR300-200-2.5
450	1.5	LTOR450-50-1.5	LTOR450-100-1.5	LTOR450-125-1.5	LTOR450-150-1.5	LTOR450-200-1.5
450	2.0	-	LTOR450-100-2.0	LTOR450-125-2.0	LTOR450-150-2.0	LTOR450-200-2.0
450	2.5	-	-	-	-	LTOR450-200-2.5
600	1.5	LTOR600-50-1.5	LTOR600-100-1.5	LTOR600-125-1.5	LTOR600-150-1.5	LTOR600-200-1.5
600	2.0	-	LTOR600-100-2.0	LTOR600-125-2.0	LTOR600-150-2.0	LTOR600-200-2.0
600	2.5	-	-	-	-	LTOR600-200-2.5
750	1.5	LTOR750-50-1.5	LTOR750-100-1.5	LTOR750-125-1.5	LTOR750-150-1.5	LTOR750-200-1.5
750	2.0	-	LTOR750-100-2.0	LTOR750-125-2.0	LTOR750-150-2.0	LTOR750-200-2.0
750	2.5	-	-	-	-	LTOR750-200-2.5
900	1.5	-	LTOR900-100-1.5	LTOR900-125-1.5	LTOR900-150-1.5	LTOR900-200-1.5
900	2.0	-	LTOR900-100-2.0	LTOR900-125-2.0	LTOR900-150-2.0	LTOR900-200-2.0
900	2.5	-	-	-	-	LTOR900-200-2.5
1000	1.5	-	LTOR1000-100-1.5	LTOR1000-125-1.5	LTOR1000-150-1.5	LTOR1000-200-1.5
1000	2.0	-	LTOR1000-100-2.0	LTOR1000-100-2.0	LTOR1000-100-2.0	LTOR1000-200-2.0
1000	2.5	-	-	-	-	LTOR1000-200-2.5

Note: Above all sizes are Standard, any sizes can be offered.

- i) width from 100 mm to 1000 mm
- ii) thickness from 1.2 mm to 3 mm

Ladder Type Tee

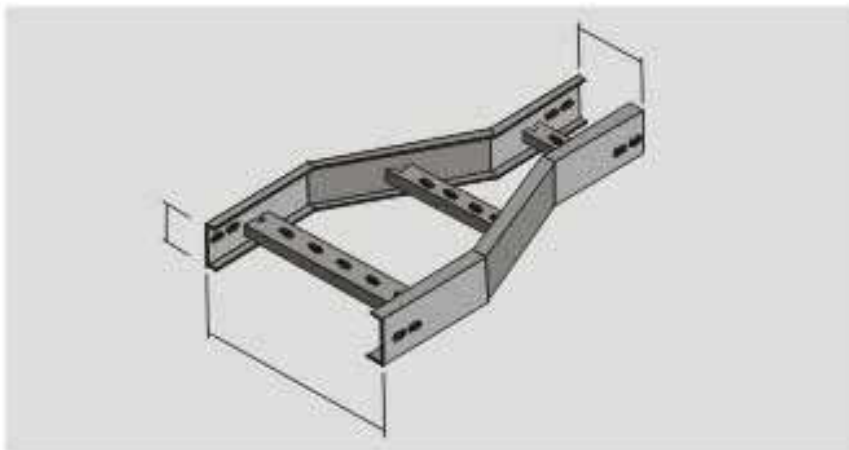


SIZE	THK	Side Channel 50	Side Channel 100	Side Channel 125	Side Channel 150	Side Channel 200
W		CODE NO	CODE NO	CODE NO	CODE NO	CODE NO
100	1.2	LTTEE100-50-1.2	-	-	-	-
100	1.5	-	-	-	-	-
100	2.0	-	-	-	-	-
150	1.2	LTTEE150-50-1.2	-	-	-	-
150	1.5	-	LTTEE100-100-1.5	LTTEE100-125-1.5	LTTEE100-150-1.5	-
150	2.0	-	LTTEE100-100-2.0	LTTEE100-125-2.0	LTTEE100-150-2.0	-
225	1.2	LTTEE225-50-1.2	-	-	-	-
225	1.5	-	LTTEE225-100-1.5	LTTEE225-125-1.5	LTTEE225-150-1.5	LTTEE225-200-1.5
225	2.0	-	LTTEE225-100-2.0	LTTEE225-125-2.0	LTTEE225-150-2.0	LTTEE225-200-2.0
225	2.5	-	-	-	-	LTTEE225-200-2.5
300	1.2	LTTEE300-50-1.2	-	-	-	-
300	1.5	-	LTTEE300-100-1.5	LTTEE300-125-1.5	LTTEE300-150-1.5	LTTEE300-200-1.5
300	2.0	-	LTTEE300-100-2.0	LTTEE300-125-2.0	LTTEE300-150-2.0	LTTEE300-200-2.0
300	2.5	-	-	-	-	LTTEE300-200-2.5
450	1.5	LTTEE450-50-1.5	LTTEE450-100-1.5	LTTEE450-125-1.5	LTTEE450-150-1.5	LTTEE450-200-1.5
450	2.0	-	LTTEE450-100-2.0	LTTEE450-125-2.0	LTTEE450-150-2.0	LTTEE450-200-2.0
450	2.5	-	-	-	-	LTTEE450-200-2.5
600	1.5	LTTEE600-50-1.5	LTTEE600-100-1.5	LTTEE600-125-1.5	LTTEE600-150-1.5	LTTEE600-200-1.5
600	2.0	-	LTTEE600-100-2.0	LTTEE600-125-2.0	LTTEE600-150-2.0	LTTEE600-200-2.0
600	2.5	-	-	-	-	LTTEE600-200-2.5
750	1.5	LTTEE750-50-1.5	LTTEE750-100-1.5	LTTEE750-125-1.5	LTTEE750-150-1.5	LTTEE750-200-1.5
750	2.0	-	LTTEE750-100-2.0	LTTEE750-125-2.0	LTTEE750-150-2.0	LTTEE750-200-2.0
750	2.5	-	-	-	-	LTTEE750-200-2.5
900	1.5	-	LTTEE900-100-1.5	LTTEE900-125-1.5	LTTEE900-150-1.5	LTTEE900-200-1.5
900	2.0	-	LTTEE900-100-2.0	LTTEE900-125-2.0	LTTEE900-150-2.0	LTTEE900-200-2.0
900	2.5	-	-	-	-	LTTEE900-200-2.5
1000	2.0	-	LTTEE1000-100-2.0	LTTEE1000-125-2.0	LTTEE1000-150-2.0	LTTEE1000-200-2.0
1000	2.5	-	-	-	-	LTTEE1000-200-2.5

Note: Above all sizes are Standard, any sizes can be offered.

- i) width from 100 mm to 1000 mm
- ii) thickness from 1.2 mm to 3 mm

Ladder Type Reducers



SIZE W1XW2	THK	Side Channel 50mm CODE NO	Side Channel 100mm CODE NO	Side Channel 125mm CODE NO	Side Channel 150mm CODE NO	Side Channel 200mm CODE NO
150X100	1.2, 1.5&2.0MM	LTRED-50-150X100	-	-	-	-
225X100	1.2, 1.5&2.0MM	LTRED-50-225X100	-	-	-	-
300X100	1.2, 1.5&2.0MM	LTRED-50-300X100	-	-	-	-
450X100	1.2, 1.5&2.0MM	LTRED-50-450X100	-	-	-	-
600X100	1.2, 1.5&2.0MM	LTRED-50-600X100	-	-	-	-
750X100	1.5&2.0MM	LTRED-50-750X100	-	-	-	-
900X100	1.5&2.0MM	-	-	-	-	-
225X150	1.2, 1.5&2.0MM	LTRED-50-225X150	LTRED-100-225X150	LTRED-125-225X150	LTRED-150-225X150	-
300X150	1.2, 1.5&2.0MM	LTRED-50-300X150	LTRED-100-300X150	LTRED-125-300X150	LTRED-150-300X150	-
450X150	1.2, 1.5&2.0MM	LTRED-50-450X150	LTRED-100-450X150	LTRED-125-450X150	LTRED-150-450X150	-
600X150	1.2, 1.5&2.0MM	LTRED-50-600X150	LTRED-100-600X150	LTRED-125-600X150	LTRED-150-600X150	-
750X150	1.5&2.0MM	LTRED-50-750X150	LTRED-100-750X150	LTRED-125-750X150	LTRED-150-750X150	-
900X150	1.5&2.0MM	-	LTRED-100-900X150	LTRED-125-900X150	LTRED-150-900X150	-
300X225	1.2, 1.5&2.0MM	LTRED-50-300X225	LTRED-100-300X225	LTRED-125-300X225	LTRED-150-300X225	LTRED-200-300X225
450X225	1.5&2.0MM	LTRED-50-450X225	LTRED-100-450X225	LTRED-125-450X225	LTRED-150-450X225	LTRED-200-450X225
600X225	1.2, 1.5&2.0MM	LTRED-50-600X225	LTRED-100-600X225	LTRED-125-600X225	LTRED-150-600X225	LTRED-200-600X225
750X225	1.5&2.0MM	LTRED-50-750X225	LTRED-100-750X225	LTRED-125-750X225	LTRED-150-750X225	LTRED-200-750X225
900X225	1.5&2.0MM	-	LTRED-100-900X225	LTRED-125-900X225	LTRED-150-900X225	LTRED-200-900X225
450X300	1.2, 1.5&2.0MM	LTRED-50-450X300	LTRED-100-450X300	LTRED-125-450X300	LTRED-150-450X300	LTRED-200-450X300
600X300	1.2, 1.5&2.0MM	LTRED-50-600X300	LTRED-100-600X300	LTRED-125-600X300	LTRED-150-600X300	LTRED-200-600X300
750X300	1.5&2.0MM	LTRED-50-750X300	LTRED-100-750X300	LTRED-125-750X300	LTRED-150-750X300	LTRED-200-750X300
900X300	1.5&2.0MM	-	LTRED-100-900X300	LTRED-125-900X300	LTRED-150-900X300	LTRED-200-900X300
600X450	1.2, 1.5&2.0MM	LTRED-50-600X450	LTRED-100-600X450	LTRED-125-600X450	LTRED-150-600X450	LTRED-200-600X450
750X450	1.5&2.0MM	LTRED-50-750X450	LTRED-100-750X450	LTRED-125-750X450	LTRED-150-750X450	LTRED-200-750X450
900X450	1.5&2.0MM	-	LTRED-100-900X450	LTRED-125-900X450	LTRED-150-900X450	LTRED-200-900X450
750X600	1.5&2.0MM	LTRED-50-750X600	LTRED-100-750X600	LTRED-125-750X600	LTRED-150-750X600	LTRED-200-750X600
900X600	1.5&2.0MM	-	LTRED-100-900X600	LTRED-125-900X600	LTRED-150-900X600	LTRED-200-900X600
900X750	1.5&2.0MM	-	LTRED-100-900X750	LTRED-125-900X750	LTRED-150-900X750	LTRED-200-900X750

Note: Above all sizes are Standard, any sizes can be offered.

- i) width from 100 mm to 1000 mm
- ii) thickness from 1.2 mm to 3 mm