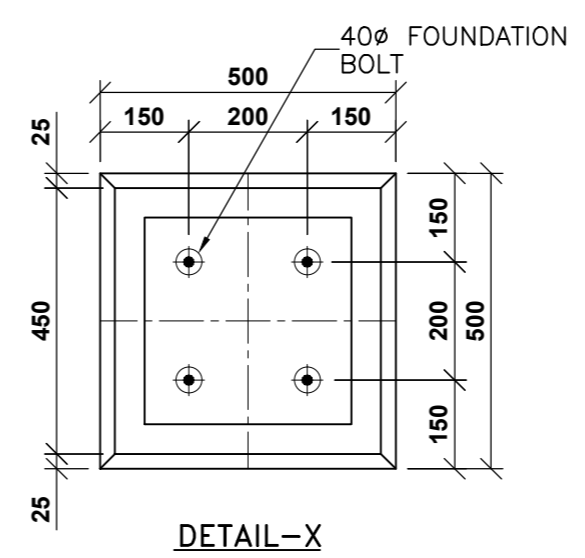
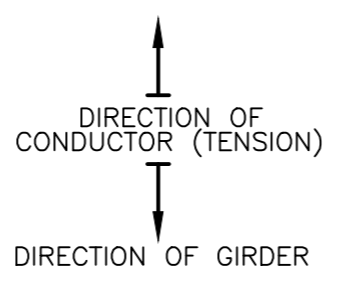
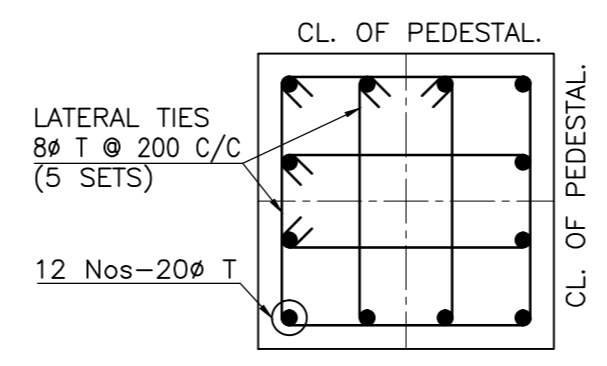


FOUNDATION PLAN



DETAIL-X

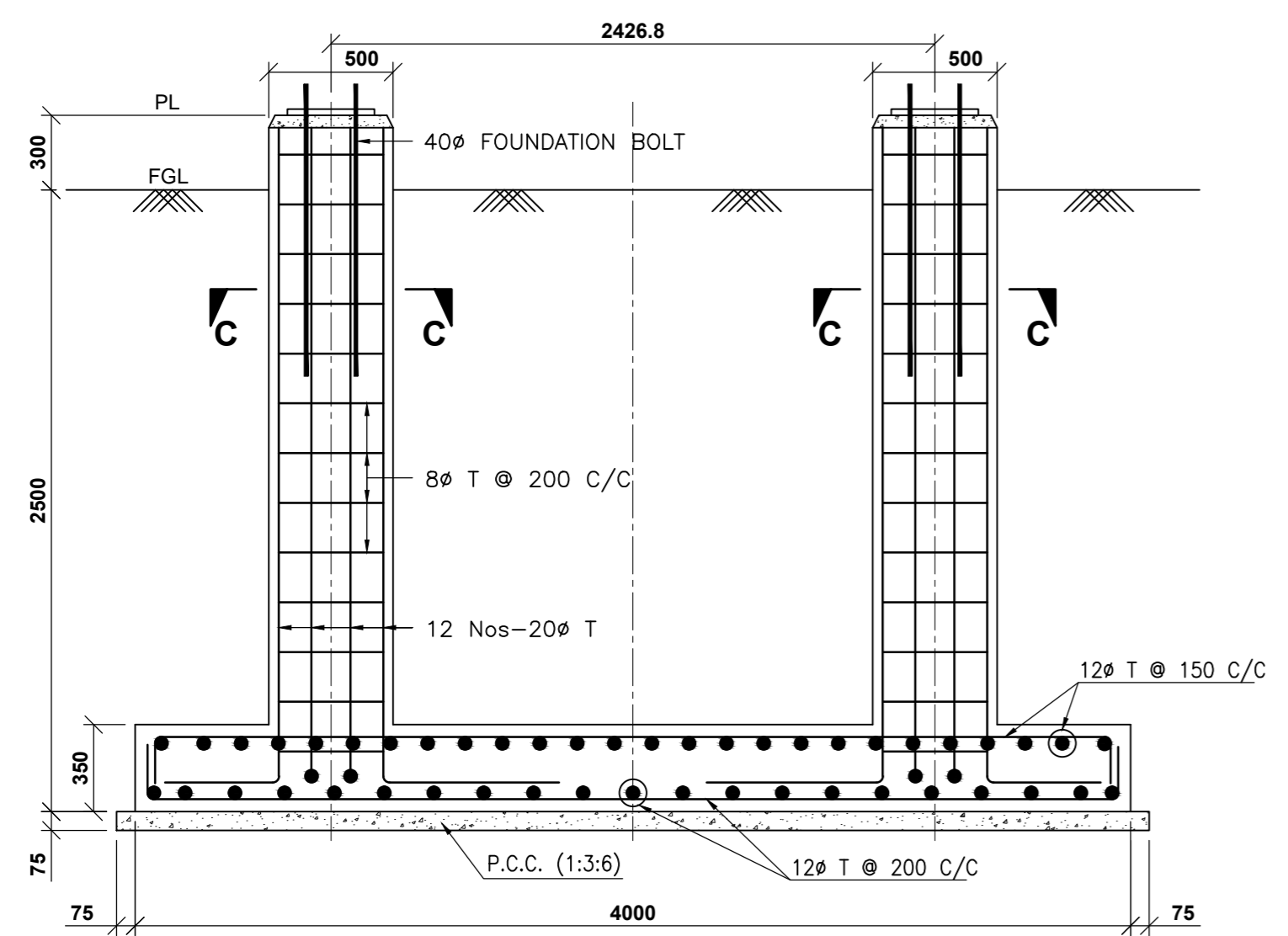


SECTION C-C

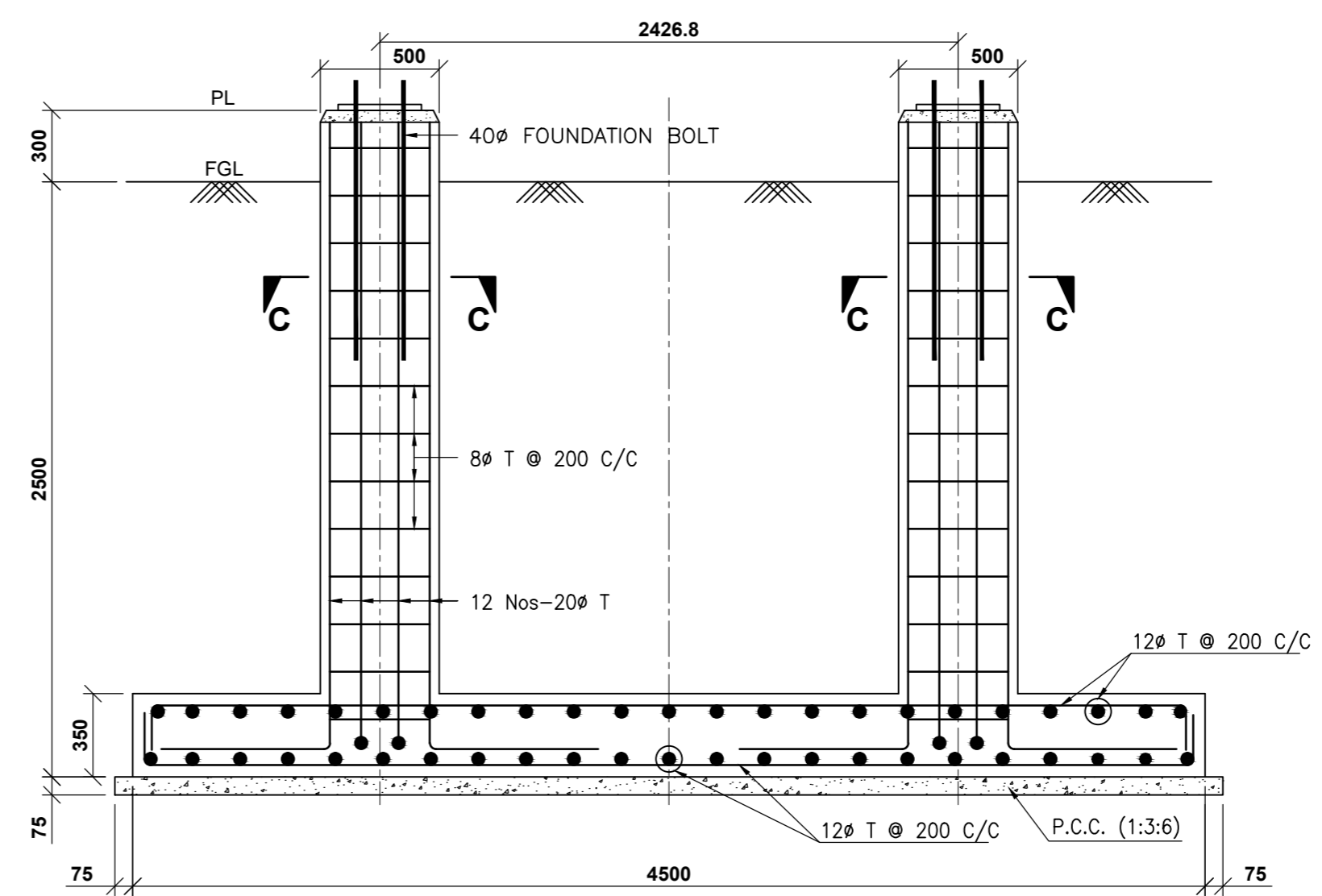
NOTES :-

- THIS DRAWING SHALL BE READ IN CONJUNCTION WITH CONTRACT TERMS AND CONDITIONS, SPECIFICATIONS AND SCHEDULE OF ITEMS.
- ALL ELEVATIONS ARE REFERRED TO THE FINISHED GRADE LEVEL OF SUB-STATION AS FGL. ( $\pm$ ) 0.00 M.
- ALL DIMENSIONS ARE IN MILLIMETRES AND LEVELS ARE IN METRES UNLESS NOTED OTHERWISE.
- GRADE OF CONCRETE SHALL BE M25 UNLESS NOTED OTHERWISE.
- CLEAR COVER TO MAIN REINFORCEMENT SHALL BE AS FOLLOWS :
 

ITEM	TOP	BOTTOM	SIDE
a) FOOTINGS	50	50	50
b) PEDESTALS	40	-	40
- STANDARD OF CONCRETE AND REINFORCEMENT STEEL- CONCRETE CLASS IS A B 25 AS PER DIN 1045 , REINFORCEMENT SHALL BE AS PER BS 4449 AND MIN YIELD STRENGTH OF REINFORCEMENT 420 MPA.
- ALL HOOKS, BENDS AND LAPS OF REINFORCEMENT BARS SHALL CONFORM TO ACI 318 M-05 UNLESS OTHERWISE NOTED.
- LAPS SHALL BE STAGGERED AS FAR AS POSSIBLE. MINIMUM LENGTH OF LAP SHALL BE FIFTY (50) TIMES DIAMETER OF BARS UNLESS NOTED OTHERWISE.
- THIS DRAWING SHALL BE READ IN CONJUNCTION WITH INDIVIDUAL TOWER STRUCTURE DRAWING & FOUNDATION DESIGN CALCULATION.



SECTION A-A



SECTION B-B

DATE	22.09.2015
DESIGNED BY:	T. SARKAR
DWN BY:	N.K. DAS
CHK BY:	S. MAHARJEE
SUBMITTED BY:	NOORJAHAL
CONTRACT	W/1/SER-14-C-0023
DESCRIPTION	100% DESIGN RESUBMITTAL
DATE	FEB. 11, 2016
DATE	SEP. 22, 2015
DATE	APR

DESIGNER: SATCON  
www.satcon.in

G-A DETAIL OF 220KV TOWER FOUNDATION MKD.-S1  
FOR 220/20KV PULE ALAM SUBSTATION

STAMPING/  
SIGNING

SHEET  
REFERENCE  
NUMBER:  
C 002A  
SCALE - 1 : 25